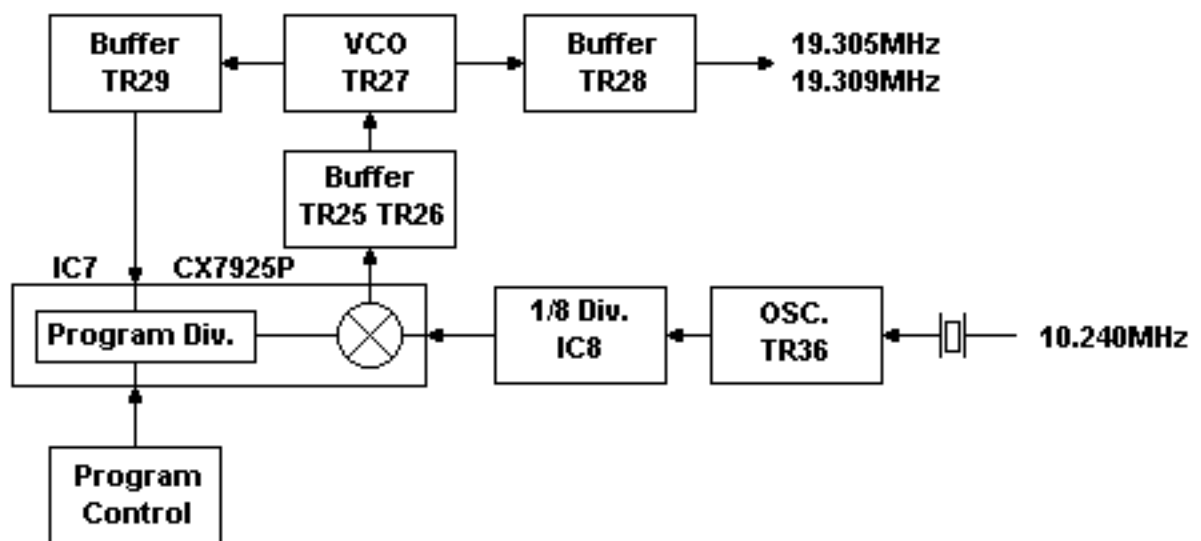
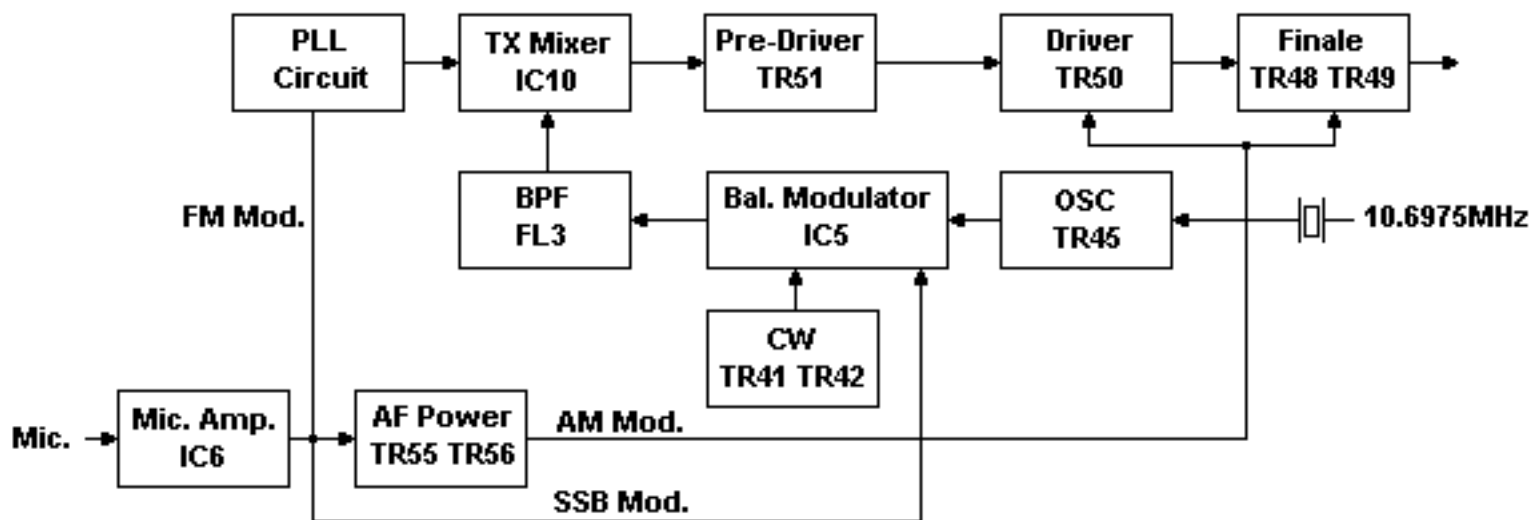


PLL Circuit



Transmitter



Receiver

